

No	Item	Unit	QTY	Unit Price	Sub Total Price
1	<b>Dry Gas Flow Meter</b> i. General Service Dry gas measurement, custody transfer applications Meter Type, Orientation Inline Ultrasonic , Horizontal Direction of Measurement Uni-Directional Principle of Measurement Ultrasonic, Transit Time Accuracy $\pm 0.3\%$ of reading (for master meter) $\pm 0.6\%$ of reading (for duty meter) Overall Uncertainty $\pm 0.5\%$ (for master meter) $\pm 1\%$ (for duty meter) No. of Paths 4 bath at least Line Size & Schedule 6 inch, Sch.80 Meter Size [inch] 6 Process Connection RF, Cl.300 as per ASME B16.5 Country of Origin USA, England, Germany, Switzerland, Italy ii. Materials Measuring Tube ,Meter Body, Flanges Carbon Steel ASTM A350 LF2 or Carbon Steel ASTM A352 Gr LCC Transducers Titanium iii. Process Data Process Fluid Dry gas (refer to Note 11, gas composition) Operating Flow Rate [MMSCF/D]: Min 6 Nor 13 Max 20 Operating Temperature [°C] 0 - 40 (Winter) 5 - 50 (Summer) Operating Pressure [Kg/cm <sup>2</sup> (g)] Min 20 Nor 30 Max 38 iv. Flow Transmitter Display LCD Measured and displayed values Line#1: Volume Flow Rate, Line#2: Totalising Volume Language of Display English Mounting Version Compact Output Signal 4-20mA HART + Impuls Supply Voltage 24 DC V Registration Unit MMSCF Material Body Stainless Steel 304 Carbon Steel ASTM A350 Gr.LF2 Ingress Protection, Certification IP 65 or Higher, Ex "d" Calibration Certificate Required	Piece	2		
2	<b>On-Line Gas Chromatograph Analyzer</b> Carrier gas Helium Gas analysis components Refer to Note 11 below Analysis cycle time < 3 min Accuracy $\pm 0.25\%$ of reading for Reading Supply Voltage 24 DC V, 50 Hz Ingress Protection, Certification IP65, Ex "d" Calibration Certificate Required Country of Origin USA, England, Germany, Switzerland, Italy	Piece	1		

## Purchase Requisition for Rashdiya Dry Gas Metering Skid

### First: General

The gas flow metering system shall be designed to facilitate the full range of flow rates and operating conditions (min, normal and max), min/max design conditions & composition for the dry gas, meeting within the allowable uncertainty limits at any time.

The gas flow metering system shall indicate standard volume and actual volume flow rates together with temperature, pressure, Chemical Composition, molecular weight, compressibility, density, etc.

The Gas metering system shall consist of three major sub-systems:

1. The field mounted gas flow metering skid consisting flow meters, piping, flow straighteners, secondary instruments, changeover valves.
2. Metering Control System which includes Flow Computers, PLC and Supervisory computer to perform the below listed functions:
  - Calculations
  - Generation daily, weekly and monthly reports
  - The execution of calibration process and creating relevant calibration reports
  - Monitoring
  - Diagnostic (Condition based) for UFM
  - Remote control of electrical valves
3. Pressure Reduction Control Valves, which shall be installed downstream of the dry gas flow meters.

The gas flow metering system instrumentation and operating system shall have self-diagnostic feature. On equipment failure, the operator shall be alerted of the status by the flow metering system, considering one duty stream plus one standby stream/master connected in Z configuration, at 100% of flow capacity for each flow stream, as per given process conditions to meet the required accuracy and repeatability.

### Second: Scope of Work

The scope of work shall include but not limited to

1. Design, fabrication, assembly, installation, commissioning, FAT, SAT, and all other services that assure accurate operation of the metering system for the export gases of Eastern Baghdad field/Rashdiya, in accordance with AGA5, AGA6, AGA8-1, AGA8-2, AGA9, AGA10 and ISO 17089:2019.
2. Documentation and preparation of relevant reports.
3. Providing the required training.
4. Providing all required country of origin certificates and calibration certificates.
5. (365) day Warranty.

#### رابعاً: المتطلبات

1. شراء وتجهيز الاجهزة والمعدات بالأعداد والمواصفات الفنية المثبتة في جدول الكميات، الفقرة/ثالثاً أعلاه.
2. فترة تنفيذ طلبية الشراء هي (365) يوماً، وتشمل التصميم والتصنيع والتجميع والفحص المعملّي والتنصيب والتشغيل التجريبي والفحص الموقعي والتدريب أيضاً.
3. التشغيل الأولي للأجهزة والمعدات الواردة في الفقرة/ثالثاً أعلاه، ولمدة (10) أيام.
4. ضمان لمدة (365) يوم بدءاً من تاريخ اصدار شهادة الاستلام الأولي.
5. تقديم دليل المستخدم للأجهزة والمعدات (نسخة واحدة وباللغة الانكليزية).
6. تقديم كافة المخططات ذات الصلة (نسخة ورقية عدد/2 ونسخة الكترونية عدد/2).
7. بلد المنشأ للأجهزة والمعدات المدرجة من (1-10) من جدول الكميات، وكما مذكور إزاء كل مادة:  
الولايات المتحدة الأمريكية، إنجلترا، ألمانيا، سويسرا، إيطاليا.
8. بلد المنشأ للفقرة (11) من جدول الكميات: رومانيا
9. بلد المنشأ للفقرة (12) من جدول الكميات: الصين
10. شهادة المنشأ مطلوبة لل فقرات (1-11) من جدول الكميات، وحسب ما مؤشر إزاء كل فقرة، ويجب ان تكون مصدقة من غرفة التجارة والسفارة العراقية في بلد المنشأ.
11. شهادة معايرة نافذة ومصدقة بواسطة فاحص ثالث وحسب ما مؤشر إزاء المواد من جدول الكميات.

#### خامساً: التدريب

1. تدريب خمسة موظفين من قسم قياسات نقل الملكية ولمدة خمسة ايام عدا ايام السفر
2. المكان: بلد المنشأ
3. البرنامج التدريبي يجب ان يشمل الجوانب التالية:
  - تشغيل المنظومة.
  - الصيانة العامة والوقائية.
  - تعريف عام بمنظومة القياس بما في ذلك التصميم.
  - تقنيات القياس.
  - استكشاف الأعطال وإصلاحها.

#### سادساً: اختبارات القبول في المصنع (FAT)

1. يجب إجراء الفحص المعملّي وفقاً لخطة الفحص المعملّي المصادق عليها.
2. يتم إعداد خطة الفحص المعملّي من قبل المجهز، وترسل إلى الطرف الأول (شركة نفط الوسط) لغرض المراجعة والمصادقة.
3. كافة أجزاء منظومة القياس المتمثلة بـ (Flow Computers, UFM, Supervisory Computers, PLC, Field Instrumentations) يتم إجراء الفحوصات عليها في المعملّ وقبل الشحن بعد ربط تلك الأجزاء بشكل كامل.
4. يجب أن يشهد موظفين عدد/4 من شركة نفط الوسط تنفيذ فعاليات الفحص المعملّي وبحضور فاحص ثالث، ولمدة خمسة ايام عدا ايام السفر.

## سابعا: إجراءات الفحص الموقفي (SAT) والتشغيل التجريبي

1. يتم إعداد خطة اختبارات القبول في الموقع من قبل المجهز، وترسل إلى الطرف الأول (شركة نفط الوسط) للمرجعة والمصادقة.
2. يتم اكمال الملاحظات المثبتة اثناء الفحص العملي (FAT Punch list) خلال اختبارات القبول في الموقع.
3. يجب حضور فاحص ثالث معتمد، لكي يشهد كافة الفحوصات ويصادق على تقرير الفحوصات الموقفية.
4. التشغيل التجريبي لمنصة التحاسب المالي بالكامل مطلوب أيضاً، ولمدة (10) أيام.

## ثامناً: متطلبات الفاحص الثالث

- الفاحص الثالث لأنشطة الفحص ذات الصلة بأجهزة ومعدات المعايير يجب ان يكون مستوفياً للشروط التالية:
1. حاصل على شهادة اعتماد كجهة فحص طبقاً للمواصفة (ISO/IEC 17020:2012). ويشترط ان يكون مجال الاعتماد ذو صلة بمعايير معدات القياس والمعايرة، والالتزام بموقع مزاوله أنشطة الفحص المثبت بشهادة الاعتماد.
  2. عضو في منظمة (TIC).
  3. يمتلك أعمال مماثلة كجهة فحص لأنشطة ذات الصلة بمعايرة أجهزة ومعدات المعايير.
  4. يمتلك فاحصين ذوي سيرة ذاتية رصينة كفاحص ثالث (في مجال معايرة أجهزة ومعدات المعايير).

## تاسعاً: المخططات

مخطط عدد/1 والمقدم من قبلنا

## عاشراً: العنوان

شركة نفط الوسط / بغداد / بوب الشام / خلف محطة القدس الحرارية

No	Item	Unit	QTY	Unit Price	Sub Total Price
3	<b>Flow Computer</b> Input Signal 4-20 mA Hart/ Pulses (Pulse per Kg, Pulse Per Litter) Output Signal 4-20 mA Communication Modbus RTU Protocol RS485, Modbus TCP/IP Supply Voltage 24 DCV Flow rate and Proving Calculations AGA6, AGA9 Gas Property Calculations AGAS, AGA8 Part 1, AGA8 Part 2, AGA10 Country of Origin USA, England, Germany, Switzerland, Italy	Piece	2		
4	<b>Pressure Transmitter</b> Accuracy $\pm 0.1\%$ of span (or better) Pressure Range [Kg/cm <sup>2</sup> (g)] 0 - 60 Display LCD Unit Bar Ingress Protection, Certification IP 65 or Higher, Ex "d" Supply Voltage 24 DC V Calibration Certificate Required Country of Origin USA, England, Germany, Switzerland, Italy	Piece	4		
5	<b>Temperature Transmitter</b> Accuracy $\pm 0.1\%$ of span (or better) Temperature Range [°C] 0 ... 100 Display LCD Ingress Protection, Certification IP 65 or Higher, Ex "d" Supply Voltage 24 DC V Calibration Certificate Required Country of Origin USA, England, Germany, Switzerland, Italy	Piece	4		
6	<b>Pressure Gauge</b> Accuracy 1% of span Pressure Range [barg] 0 ... 60 Dial Size [mm] 150 Ingress Protection IP 65 or Higher Calibration Certificate Required Country of Origin USA, England, Germany, Switzerland, Italy	Piece	2		
7	<b>Temperature Gauge</b> Accuracy 1% of span Temperature Range [°C] 0 ... 100 Dial Size [mm] 150 Ingress Protection IP 65 or Higher Calibration Certificate Required Country of Origin USA, England, Germany, Switzerland, Italy	Piece	2		
8	<b>Isolation valve</b> Size [inch] 6" ANSI Class 300, Sh.80 Type Ball Valve End Connection Flanged, RF as per ASME B16.5 Valve Operator Motorised Manual Operated Required, by hand wheel Function On/off Application Dry gas measurement, custody transfer applications Operating Temperature [°C] 0 - 50 Operating Pressure [barg] 10 - 38 Supply Voltage 1 $\Phi$ , 220V AC, 50 Hz Ingress Protection, Certification IP 65 or Higher, Ex "d" Country of Origin USA, England, Germany, Switzerland, Italy	Piece	5		

No	Item	Unit	QTY	Unit Price	Sub Total Price
15	<b>Electrical and Mechanical Works</b> This encompasses, but is not limited to: <ul style="list-style-type: none"> <li>- Provision and installation all associated pipes, Flanges, fittings, isolation valves, PRVs and drain valves</li> <li>- Provision and installation appropriate metering skid canopy</li> <li>- Pipe cutting in situ, supplying and welding the opposite upstream and downstream flanges, and the installation of the whole metering skid.</li> <li>- Provision and wiring up all electrical and signal cables, PLC, cable tray, electrical panels, earthing system, and junction boxes</li> <li>- Supply, laying, and wiring up all power and signal cables in trench with depth 120 cm and width 30 cm, from the metering skid to control room (400 m maximum). The work includes digging of the trench (manual and automated according to the site), laying the cables and warning tapes then backfill the trench with soil.</li> </ul>	Totally	Totally		
16	<b>Training</b> Five days training "excluding travel days" should be given for custody transfer dep. personnel. Training shall be conducted in Country of Origin. The training program shall encompass the aspects below: <ul style="list-style-type: none"> <li>- System operation</li> <li>- General and preventive maintenance.</li> <li>- General system familiarization including design.</li> <li>- Measuring techniques.</li> <li>- Troubleshooting.</li> </ul>	Person	5		
17	<b>Factory Acceptance Test (FAT)</b> <ul style="list-style-type: none"> <li>- The (FAT) shall be conducted following the approved FAT Plan.</li> <li>- The FAT Plan shall be prepared by the vendor and submitted to the first party (MDOC) for review and approval.</li> <li>- The full skid system integration test for the FMS package (Flow Computers, UFM, supervisory computers, PLC, field instrumentations) shall be done at factory before shipping.</li> <li>- Four personnel from Midland Oil Company shall witness the Factory Acceptance Test (FAT) in the presence of a third-party inspector for a period of five days, excluding travel days.</li> </ul>	Person	4		
18	<b>Site Acceptance Test (SAT) and Commissioning</b> This test shall take place at site, SAT tests plan shall be submitted to MDOC to review and approval, any punch list items from FAT shall be retested during SAT. An accredited third-party inspector shall be present to witness and endorse the SAT Test report. A ten-day commissioning period is also required for the entire metering skid.	Totally	Totally		

<b>Total Price</b>	
--------------------	--

No	Item	Unit	QTY	Unit Price	Sub Total Price
9	<b>Pressure Control Valve</b> Size/Rating 6" ANSI Class 300, Sh.80 Function Downstream Pressure Control Valve Type Vender to Advise End Connection Flanged, RF as per ASME B16.5 Actuator Electro-Hydraulic or Motorized operated Manual Operated Required, by hand wheel Supply Voltage 1 $\phi$ , 220V AC, 50Hz Control Mode Integral Regulating Type (4-20mA) End Connection Flanged, RF as per ASME B16.5 Application Flow meters calibration Process Fluid Dry Gas Operating Flow Rate [MMSCF/D]: 6 - 20 Maximum Inlet Pressure [Kg/cm <sup>2</sup> (g)] 38 Outlet Pressure [Kg/cm <sup>2</sup> (g)] 30 $\pm$ 2 Operating Temperature [°C] 0 - 50 Ingress Protection, Certification IP 65 or Higher, Ex "d" Country of Origin USA, England, Germany, Switzerland, Italy	Piece	2		
10	<b>Flow Conditioner</b> Size [inch] 6 Process Connection RF, Cl.300 as per ASME B16.5 Country of Origin USA, England, Germany, Switzerland, Italy	Piece	2		
11	<b>On-Line Gas Density Meters</b> Accuracy $\pm$ 0.1% of span Output Signal 4 - 20 mA SMART with HART Protocol, 2 wire Electrical Safety EExd suitable for Zone 2, Gas group IIB, Temp. Class T4 Ingress Protection, Certification IP66, Ex "d" Calibration Certificate Required Country of Origin Romania	Piece	2		
12	<b>Supervisory Computer</b> Type Desktop SPU 14th Generation Intel(R) Core i9, (or Higher) Storage 1TB SSD (or Higher) Memory (RAM) 32 GB (or Higher) OS Win11 Home, 64-bit, Genuine with Key (or Higher) Screen Size 24" Full HD Supply Voltage 220 ACV,50 Hz Country of Origin China	Piece	2		
13	<b>Supervisory Software</b> Function - Generates daily, monthly, alarms and events reports - Remote control of all electrical valves - The execution of calibration process and creating relevant calibration reports Storage Capacity 1 Year (Minimum) License validity 15 Year (Minimum)	Piece	1		
14	<b>Spare parts</b> - Flow meter sensor x (2) set - Flow Transmitter x (1) Piece - Pressure Transmitter x (1) Piece - Temperature Transmitter x (1) Piece	Totally	Totally		

### **Seven: Site Acceptance Test (SAT) and Commissioning**

1. SAT tests plan shall be submitted to MdOC to review and approval
2. Any punch list items from FAT shall be retested during SAT.
3. An accredited third-party inspector shall be present to witness and endorse the SAT Test report.
4. A ten-day commissioning period is also required for the entire metering skid.

### **Eight: Third Party Inspector Requirements**

Third Party Inspector for inspection activities which are related to the measuring and calibration equipment shall meet the below requirements:

1. Accreditation certificate as inspection body in compliance with the requirements of ISO/IEC 17020:2012. And also required that, the accreditation scope shall be relevant to calibration of measuring and calibration equipment.
2. A membership in TIC.
3. Similar works as a TPI for calibration of measuring and calibrating equipment.
4. Inspectors shall have a discreet resume as TPI (calibration of measuring and calibrating equipment).

### **Nine: The Drawings**

Diagram No.1 (Presented by us)

### **Ten: Address**

Midland Oil Company, Baghdad, Bob Al Sham/ behind Al-Quds power plant.



**Notes:**

- 1) Country of origin for the instruments and equipment listed from 1-10 in the table of quantities, as mentioned in front of each material:  
USA, England, Germany, Switzerland, Italy
- 2) Country of origin for item 11 in the table of quantities: Romania
- 3) Country of origin for item 12 in the table of quantities: China
- 4) A Country of origin certificate is required for items 1-11 in the table of quantities, as stated in front of each item.
- 5) All Country of origin Certificates, shall be ratified by Trade Bureau and Iraqi embassy therein.
- 6) All Calibration Certificates shall undergo review and approval by an accredited third-party inspector, and must be valid.
- 7) The execution period of purchase order is (365) days, which encompass delivery installation, site commissioning, SAT, and training as well.
- 8) (365) days of warranty once initial acceptance certificate issued
- 9) Environmental Data of items
  - Ambient Temperature [°C]: ≤55 (Under Sunshade)                      ≤80 (Direct Sun Light)
  - Barometric Pressure [Kg/cm<sup>2</sup>(g)]: 1.01325
  - Relative Humidity (%): 5 .. 95
- 10) The gas flow metering system shall consist of two streams: one duty stream and one standby stream, each with 100% flow capacity. Therefore, one stream shall function as duty stream, while the other stream shall serve as a redundant at all levels, including:
  - Redundant PLCs
  - Redundant PCs, Supervisory Software and flow computers
  - Redundant PCVs
  - Redundant Density Meter
  - Redundant Power Supply
- 11) Gas Composition

The below gas specifications is based on Iraqi Marketing Specifications for export dry gas:

Test	%
C1 Vol% (min)	75.0
C2 Vol% (max)	20.0
C3 Vol% (max)	0.50
Butane% (max)	0.25
Pentane and heavier Vol% (max)	0.25
Nitrogen (N2) Vol% (max)	1.20
Carbon Dioxide (CO2) Vol% (max)	2.50
H2S (ppmv) (max)	4.00
Mercaptan (RSH) (mg/m <sup>3</sup> ) (max)	15.00
Total Sulfur (mg/m <sup>3</sup> ) (max)	40.00
Water Dew Point [°C] @ 40 Bar (max)	-40
Hydrocarbon Dew Point [°C] @ 40 Bar (max)	-36
Gross Heating Value (BTU/SCF) (max)	1150
Mercury (ng/m <sup>3</sup> ) (max)	10.00
Oxygen Vol% (max)	0.10

#### **Four: Requirements**

1. Purchase and delivery the equipment in the quantities and the technical specification mentioned in table of quantities paragraph three above.
2. The execution period of purchase order is (365) days, which encompasses design, fabrication, assembly, testing (FAT), installation, commissioning, SAT and training as well.
3. Initial test (test run) of the equipment mentioned in paragraph three above, for duration period of (10) days.
4. Warranty for (365) days starting from the date of issuance of the initial acceptance certificate.
5. Provide a user manual for the devices and equipment (one English copy).
6. All the related diagrams shall be supplied (2 hard copy, 2 soft copy).
7. Country of origin for the instruments and equipment listed from 1-10 in the table of quantities, as mentioned in front of each material: USA, England, Germany, Switzerland, Italy.
8. Country of origin for item 11 in the table of quantities: Romania
9. Country of origin for item 12 in the table of quantities: China
10. A Country of origin certificate is required for items 1-11 in the table of quantities, as stated in front of each item, and shall be ratified by the Trade Bureau and the Iraqi embassy therein.
11. Calibration certificates, valid and approved by third-party inspector, are required as mentioned for the items in the quantity table.

#### **Five: Training**

1. Five days of training excluding travel days shall be given for five personnel from custody transfer department.
2. Training Location: Country of Origin
3. Training program shall encompass the aspects below:
  - System operation
  - General and preventive maintenance.
  - General system familiarization including design.
  - Measuring techniques.
  - Troubleshooting.

#### **Six: Factory Acceptance Test (FAT)**

1. The (FAT) shall be conducted following the approved FAT Plan.
2. The FAT Plan shall be prepared by the vendor and submitted to the first party (MdOC) for review and approval.
3. The full skid system integration test for the FMS package (Flow Computers, UFM, supervisory computers, PLC, field instrumentations) shall be done at factory before shipping.
4. Four personnel from Midland Oil Company shall witness the Factory Acceptance Test (FAT) in the presence of a third-party inspector for a period of five days, excluding travel days.

5- Test and Engineering Inspection

1. The (FAT) shall be conducted following the approved FAT Plan.
2. The FAT Plan shall be prepared by the vendor and submitted to the first party (MDOC) for review and approval.
3. Comprehensive integration test of the entire calibration equipment such as (flow computers, flowmeters, valves, pumps, Variable frequency drives, SVP and PLCs) shall be performed at the factory prior to The full skid system integration test for the FMS package (Flow Computers, UFM, supervisory computers, PLC, field instrumentations) shall be done at factory before shipping.
4. Four personnel from Midland Oil Company shall witness the Factory Acceptance Test (FAT) in the presence of a third-party inspector for a period of five days, excluding travel days.
5. Third Party Inspector for inspection activities which are related to the measuring and calibration equipment shall meet the below requirements:
  - a. Accreditation certificate as inspection body in compliance with the requirements of ISO/IEC 17020:2012. And also required that, the accreditation scope shall be relevant to calibration of measuring and calibration equipment.
  - b. A membership in TIC.
  - c. Similar works as a TPI for calibration of measuring and calibrating equipment.
  - d. Inspectors shall have a discreet resume as TPI (calibration of measuring and calibrating equipment).

- 1- يجب إجراء الفحص المعملية وفقاً لخطة الفحص المعملية المصادق عليها.
- 2- يتم إعداد خطة الفحص المعملية من قبل المجهز، وترسل إلى الطرف الأول (شركة نقط الوسط) لغرض المراجعة والمصادقة.
- 3- كافة أجزاء منظومة القياس المتمثلة بـ (Flow Computers, UFM, Supervisory Computers, PLC, Field instrumentations) الفحوصات عليها في المعمل وقبل الشحن بعد ربط تلك الأجزاء بشكل كامل.
- 4- يجب أن يشهد موظفين عدد 4 من شركة نقط الوسط تنفيذ فعاليات الفحص المعملية وبحضور فاحص ثالث، ولمدة خمسة أيام عدا أيام السفر.
- 5- الفاحص الثالث لأنشطة الفحص ذات الصلة بأجهزة ومعدات المعايرة يجب أن يكون مستوفياً للشروط التالية:
  - ✓ حاصل على شهادة اعتماد كجهة فحص طبقاً للمواصفة (ISO/IEC 17020:2012). ويشترط ان يكون مجال الاعتماد ذو صلة بمعايرة معدات القياس والمعايرة، والالتزام بموقع مزاوله أنشطة الفحص المثبت بشهادة الاعتماد.
  - ✓ عضو في منظمة (TIC).
  - ✓ يمتلك أعمال مماثلة كجهة فحص للأنشطة ذات الصلة بمعايرة أجهزة ومعدات المعايرة.
  - ✓ يمتلك فاحصين ذوي سيرة ذاتية رصينة كفاحص ثالث (في مجال معايرة أجهزة ومعدات المعايرة).

#### 4- Drawings

#### 4- المخططات

Bid documents include drawings.

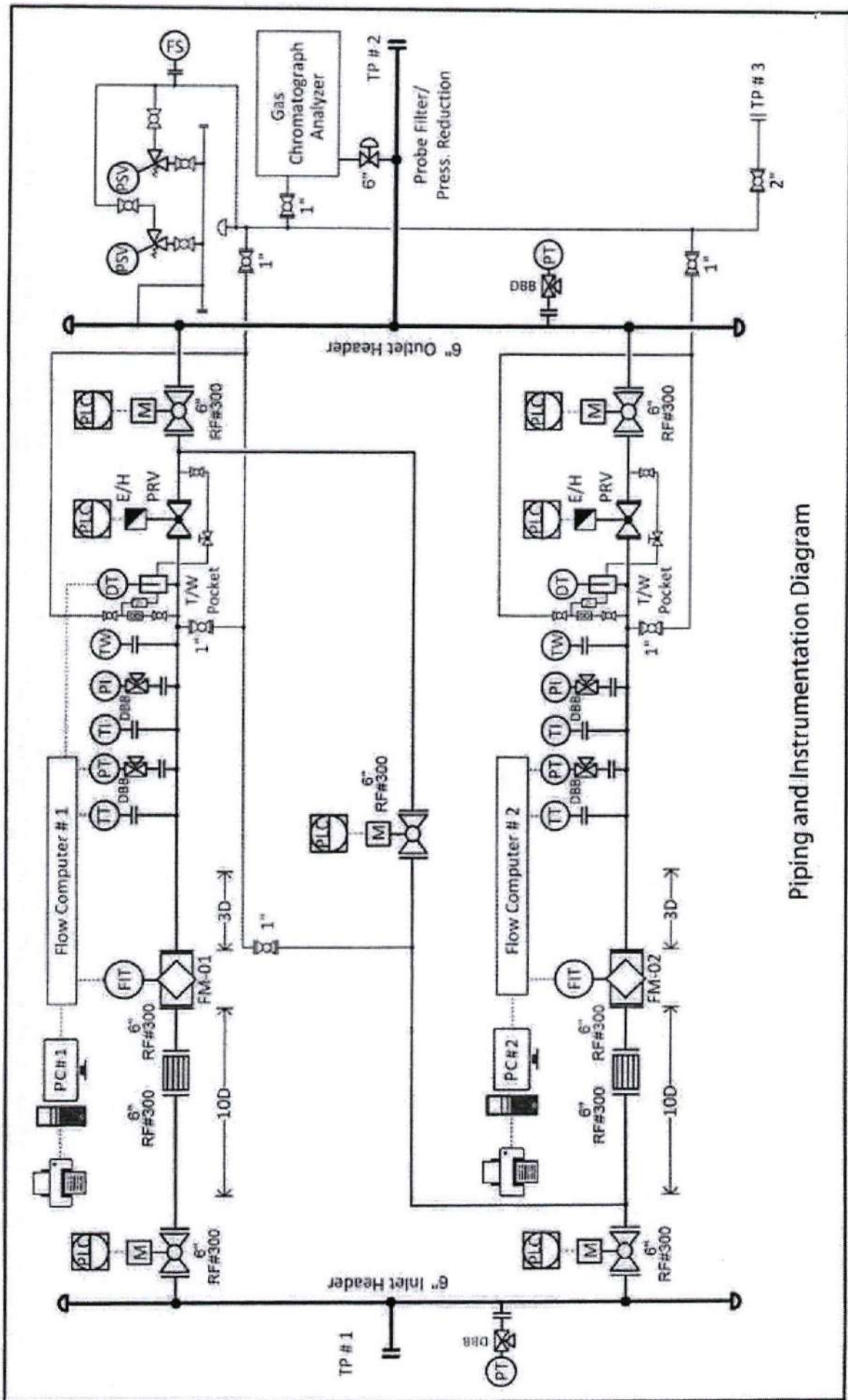
وثائق العطاء هذه تتضمن مخططات.

[Insert the following list of drawings if these documents will be included]

[أدخل قائمة المخططات الآتية إذا كانت هذه الوثائق سيتم تضمينها]

قائمة المخططات		
الغرض	اسم المخطط	رقم المخطط
استرشادي	Piping and Instrumentation Diagram	---

List of Drawings		
Drawing Number	Drawing Name	Purpose
---	Piping and Instrumentation Diagram	Guidance



Piping and Instrumentation Diagram

## الجزء الثاني

متطلبات التجهيز  
لعقود تجهيز السلع

قائمة الاختبارات والفحص الهندسي		
الاختبار و/أو الفحص الهندسي	وصف ملخص لكل بند	رقم البند

List of Tests and Engineering Inspections		
Item No.	Brief Description of each Item	Test and/or Engineering Inspection

## القسم السادس: جدول المتطلبات لعقود تجهيز السلع

### المحتويات

١. قائمة السلع وجدول التسليم
٢. قائمة الخدمات المتصلة بها وجدول الاكمال
٣. المواصفات الفنية
٤. المخططات
٥. الاختبار والفحص الهندسي



## ملاحظات حول أعداد جدول المتطلبات

يضمن المشتري جدول المتطلبات في وثائق العطاء، ويجب أن تغطي كحد أدنى وصفاً للسلع والخدمات التي سيتم تزويدها بالإضافة إلى جدول التسليم.

إن هدف جدول المتطلبات هو توفير معلومات كافية تمكن مقدمي العطاء من إعداد عطاءاتهم بشكل دقيق وفعال، وخاصة جدول الأسعار، الذي يوجد له نموذج خاص في القسم الرابع.

بالإضافة إلى ذلك، يجب أن يكون جدول المتطلبات و جدول الأسعار أساسيان في حالة وجود فروق في الكميات عند إرساء العطاء وفقاً للفقرة ٤١ من التعليمات لمقدمي العطاء.

يجب أن تكون توقيتات وزمن تجهيز السلع محددة بصورة دقيقة مع الأخذ بنظر الاعتبار:

أ. القواعد الخاصة بشروط التسليم المحددة في التعليمات لمقدمي العطاءات وفقاً لقواعد الإنكوترم (قواعد FCA, FOB, CIP, CIF, EXW) والتي تحدد طرق تسليم السلع إلى الناقل.

ب. التاريخ المحدد في الوثائق إزاء التزامات المشتري قدر تعلق الأمر (بإصدار كتاب القبول) (كتاب الاحالة)، توقيع العقد، فتح وتثبيت الاعتمادات المستندية).

## ٢- قائمة الخدمات المتصلة بالعقد وجدول الاكمال

[على المشتري أن يملأ هذا الجدول، يجب أن تكون تواريخ الانتهاء المطلوبة واقعية ومتوافقة مع تواريخ تسليم السلع]

رقم الخدمة	وصف الخدمة	الكمية <sup>١</sup>	الوحدة	المكان الذي ستقدم به الخدمات	تاريخ (تواريخ) الانتهاء من تقديم الخدمات
١	<p>أ- قطع أنبوب قياس (٨) عقدة، وتجهيز الفلنجات بالقياسات المناسبة ولحامها على الأنبوب، وربط العداد في المكان المخصص.</p> <p>ب- تجهيز ومد قائلو كهرباء بطول (٣٠) متر، وتوصيل العداد بأقرب مصدر قدرة التشغيل التجريبي للعداد منه (٥) أيام</p>	قطعي	قطعي	شركة نفط الوسط حقل شرقي بغداد/الراشدية	خلال فترة العقد
٢	التشغيل التجريبي للعداد لمدة (٥) أيام	قطعي	قطعي	شركة نفط الوسط حقل شرقي بغداد/الراشدية	خلال فترة العقد
٣	الضمان	قطعي	قطعي	شركة نفط الوسط حقل شرقي بغداد/الراشدية	ضمان لمدة (٣٦٥) يوم بدءاً من تاريخ إصدار شهادة الاستلام الأولى
٤	تقديم دليل المستخدم للأجهزة والمعدات (نسخة واحدة وباللغة الانكليزية)	١	Piece	شركة نفط الوسط حقل شرقي بغداد/الراشدية	خلال فترة العقد
٥	نسخة من شهادة المنشأ، وشهادة المعايرة	—	—	شركة نفط الوسط حقل شرقي بغداد/الراشدية	خلال فترة العقد

### ٣- المواصفات الفنية

إن الهدف من المواصفات الفنية هو تحديد الخصائص الفنية للسلع والخدمات المتصلة بها التي يطلبها المشتري. على المشتري أن يعد قائمة مفصلة بالمواصفات الفنية أخذاً بعين الاعتبار ما يأتي:

- تتألف المواصفات الفنية من مؤشرات واضحة يستطيع المشتري من خلالها أن يحدد فيما إذا كانت المواصفات الفنية التي يقدمها العطاء مطابقة للمواصفات المطلوبة وبالتالي يستطيع تقييم العطاء. ولذا فإن المواصفات الفنية المحددة جيداً ستسهل عملية إعداد العطاءات المستوفية للمواصفات من مقدمي العطاءات، بالإضافة إلى فحصها وتقييمها ومقارنتها من قبل لجنة تحليل العطاءات.
- تتطلب المواصفات أن تكون جميع السلع والمواد المستخدمة في السلع جديدة وغير مستخدمة ومن أحدث طراز وتتضمن التطورات كافة في التصميم والمواد ما لم يذكر خلاف في العقد.
- يجب أن تستفيد المواصفات الفنية من أفضل التطبيقات السابقة. وقد توفر العينات لمواصفات استخدمت في عطاءات ناجحة مشابهة في نفس الدولة أو القطاع، أراضية صلبة في وضع المواصفات الفنية.
- يطلب المشتري استخدام النظام المترى في تحديد الوحدات في العطاء.
- إن وضع معايير ثابتة للمواصفات الفنية قد يكون مفيداً، وهذا يعتمد على مدى تعقيد السلع وتكرار هذا النوع من عمليات التجهيز. و يجب أن تكون المواصفات الفنية شاملة لتجنب تقييد التصنيع، أو المواد، أو المعدات المستخدمة عادة في تصنيع سلع شبيهة.
- يجب أن لا تكون المعايير المحددة للمعدات والمواد والتصنيع في وثائق العطاء مقيدة. و يجب تحديد المواصفات الدولية المعتمدة كلما كان ذلك ممكناً. كما يجب تجنب الإشارة إلى الأسماء التجارية، أو أرقام الأدلة المصورة، أو أية تفاصيل أخرى تحدد المواد والبنود المطلوبة بتلك المنتجة من مصنع معين، وذلك قدر الإمكان. و إذا لم يكن ذلك ممكناً يجب أن يتبع وصف هذه البنود جملة (أو مايمثلها إلى أقصى حد).
- يجب أن تبين المواصفات الفنية جميع المتطلبات فيما يتعلق بالنقاط الآتية، كأمثلة لا للحصر:
  - (أ) معايير المواد والتصنيع المطلوب لإنتاج وتصنيع هذه المواد.
  - (ب) تفاصيل الاختبارات المطلوبة (النوع والرقم).
  - (ج) أي عمل إضافي و/أو خدمات متصلة به مطلوبة لتحقيق التسليم/الكمال على أكمل وجه.
  - (د) تفاصيل النشاطات التي يجب تنفيذها من المجهز وطبيعة مشاركة المشتري فيها.
  - (هـ) قائمة بتفاصيل الضمانات التي تغطيها كفالة السلع Liquidated Damage التي ستطبق في حالة عدم تحقيق الضمانات.

## رابعاً: المتطلبات

١. شراء وتجهيز الاجهزة والمعدات بالأعداد والمواصفات الفنية المثبتة في جدول الكميات، الفقرة/ثالثاً أعلاه.
٢. فترة تنفيذ طلبية الشراء هي (٣٦٥) يوماً، وتشمل التجهيز والتصيب والتشغيل التجريبي.
٣. التشغيل الأولي للأجهزة والمعدات الواردة في الفقرة/ثالثاً أعلاه، ولمدة (٥) أيام.
٤. ضمان لمدة (٣٦٥) يوم بدءاً من تاريخ اصدار شهادة الاستلام الاولي.
٥. تقديم دليل المستخدم للأجهزة والمعدات (نسخة واحدة وباللغة الانكليزية).
٦. نسخة من شهادة المنشأ، وشهادة معايرة نافذة مطلوبة لعداد الجريان المثبت في فقرة/١ من جدول الكميات أعلاه.
٧. بلد المنشأ:
  - فيما يخص عداد الجريان فإن بلد المنشأ هو:  
الولايات المتحدة الأمريكية، بريطانيا، المانيا، فرنسا، سويسرا.
  - بلد المنشأ لكل من المنظومة اللاسلكية لنقل الاشارة والكومبيوتر هو:  
الولايات المتحدة الأمريكية، بريطانيا، المانيا، فرنسا، سويسرا، ايطاليا، اليابان، كوريا، الصين.

## خامساً: العنوان

نقط الوسط / بغداد / بوب الشام / خلف محطة القدس الحرارية

#### ٤ - المخططات

#### (لا تتضمن مخططات)

وثائق العطاء هذه ["لا تتضمن"] مخططات.

[أدخل قائمة المخططات الآتية إذا كانت هذه الوثائق سيتم تضمينها]

قائمة المخططات		
رقم المخطط	اسم المخطط	الغرض

**٥- الاختبار والفحص الهندسي**  
**(لا تتضاء من)**

سيتم إجراء الاختبارات والفحوص الهندسية الآتية: [أدخل قائمة الاختبارات والفحوص الهندسية]

قائمة الاختبارات والفحص الهندسي		
رقم البند	وصف ملخص لكل بند	الاختبار و/أو الفحص الهندسي

- يجب أن تبيّن المواصفات جميع المتطلبات والخصائص الفنية والأدائية، بما في ذلك الإتيام العليا والدنيا المضمونة أو المقبولة، كما هو مناسب. يضيف المشتري، عند الضرورة، نموذجاً خاصاً (يرفق بنموذج تسليم العطاء) ليبيّن فيه مقدم العطاء معلومات تفصيلية حول هذه الخصائص الأدائية مقابل هذه الإتيام المضمونة أو المقبولة.

عندما يطلب المشتري من مقدم العطاء أن يبيّن في عطائه جميع هذه المواصفات الفنية أو جزءاً منها، أو جداول فنية أو معلومات فنية أخرى، فعليه أن يحدد بالتفصيل مدى وطبيعة المعلومات المطلوبة والطريقة التي يجب تقديمها بها في العطاء من مقدم العطاء.

[على المشتري أن يُدخل المعلومات في الجدول الآتي، إذا كان من المقترض أن يقدّم ملخصاً بالمواصفات الفنية. وعلى مقدم العطاء أن يجهز جدولاً مشابهاً لإيضاح كيفية تطابقها مع المواصفات المطلوبة].

"ملخص المواصفات الفنية. السلع والخدمات المتصلة بها تتوافق مع المعايير والمواصفات الفنية الآتية:

رقم البند	اسماء السلع والخدمات المتصلة بها	المعايير والمواصفات الفنية
[ادخل رقم البند]	[ادخل الاسم]	[ادخل المعايير والمواصفات الفنية]

تفاصيل المعايير والمواصفات الفنية [حيثما ضروري]

[أدخل وصفاً مفصلاً للمواصفات الفنية]

شاشة الاجهزة والمعدات وجدول الكميات

No	Item	Unit	QTY	Unit Price	Sub Total Price
1	<p>8" Flow Meter</p> <p>I. General</p> <p>Service</p> <p>Meter Type, Orientation</p> <p>Measuring Method</p> <p>Calibration</p> <p>No. of Paths</p> <p>Line Size [inch]</p> <p>Meter Size [inch]</p> <p>Process Connection</p> <p>Tube Material</p> <p>ii. Process Data</p> <p>Process Fluid</p> <p>Operating Flow Rate [m<sup>3</sup>/h]:</p> <p>Design Temperature [°C]</p> <p>Operating Pressure [Kg/cm<sup>2</sup>(g)]</p> <p>Design Pressure [Kg/cm<sup>2</sup>(g)]</p> <p>Viscosity @ 26.7 °C [cst]</p> <p>Density @ 15 °C [Kg/m<sup>3</sup>]</p> <p>Salt [ppm]</p> <p>H<sub>2</sub>S [ppm]</p> <p>Water Content [%]</p> <p>iii. Flow Transmitter</p> <p>Display</p> <p>Language of Display</p> <p>Mounting Version</p> <p>Output Signal</p> <p>Supply Voltage</p> <p>Measured and displayed values</p> <p>Material Body/Housing</p> <p>Ingress Protection</p> <p>Crude Oil Flow Measurement</p> <p>Ultrasonic (Spool Piece with Probes), Horizontal</p> <p>Transit Time</p> <p>0.3%, 5-point, traceable, ISO/IEC 17025</p> <p>4 or (better)</p> <p>8</p> <p>8</p> <p>Cl.150 RF Sch.40, A105/1.0432, ASME B16.5 flange</p> <p>Carbon Steel A106 Grade B</p> <p>Crude Oil</p> <p>Min 5</p> <p>Min 5</p> <p>Min 2</p> <p>Min 15</p> <p>Min 800</p> <p>≤ 500</p> <p>≤ 10</p> <p>≤ 3</p> <p>LCD</p> <p>English</p> <p>✓ Compact</p> <p>4-20 mA HART + Impuls</p> <p>24 DCV</p> <p>Volume Flow Rate, Totalizing Volume</p> <p>Stainless Steel or Aluminum</p> <p>IP 65 or Higher</p> <p>Max 50</p> <p>Max 85</p> <p>Max 10</p> <p>Max 15</p> <p>Max 160</p> <p>Max 1000</p> <p>Remote</p>	Piece	1		



No	Item	Unit	QTY	Unit Price	Sub Total Price
2	<b>Transmitting/Receiving System</b> It is required to supply, install and operate transmitting and receiving system (wireless), transmit the signals of flow (rate and other measurements) from the field to the control room, so as to be recorded and displayed in the control room via HMI mentioned in item (3) below.	Piece	2		
3	<b>Supervisory Computer</b> Desktop 22" FHD (1920 x 1080) 10th Generation Intel(R) Core i7, 4.5GHz (or Higher) 1TB SSD 32 GB Win10 Home, 64-bit, Genuine with Key (or Higher) 220 ACV, 50 Hz Required to set the parameters and do the required operations	Piece	1		
4	<b>Installation</b> - Mechanical works: Pipe cutting, supplying and welding appropriate flanges, installation of meter - Electrical Works: Supplying and laying 30 m, Wiring Termination Commissions and Starter: Vendor shall execute (5) days commissioning	Totally	Totally		
5		Totally	Totally		

**Total Price**

**Notes:**

- i) Price Includes:  
 - 365 days of warranty, Starting from the issuing of initial acceptance certificate.  
 - A copy of Country of origin certificate & Calibration Certificate for item (1) above.

- ii) Environmental Data:  
 - Ambient Temperature [°C]: ≤55 (Under Sunshade)      ≤80 (Direct Sun Light)  
 - Barometric Pressure [Kg/cm<sup>2</sup>(g)]: 1.01325  
 - Relative Humidity (%): 5 ... 95

- iii) The execution period of purchase order is (365) days, which encompasses delivery installation and site commissioning.

- iv) - Country of Origin for item (1) above: USA, UK, Germany, France, Switzerland  
 - Country of Origin for items (2,3) above: USA, UK, Germany, France, Switzerland, Italy, Japan, Korea, China

## م/ طلبية شراء عداد النفط المنتج للخط الانتاجي الاول في الراشدية

### أولاً: الوصف العام

يجب ان يتم تجهيز عداد جريان نوع (Ultrasonic) لقياس كمية النفط الخام المارة بأنبوب منشأ حديثاً قياسه (٨) عقدة، بما يلبي المدى الكامل لمعدلات الجريان والظروف التشغيلية (الحدود الدنيا والطبيعية والقصى)، والظروف التصميمية (الحدود الدنيا والقصى)، مع تلبية التكرارية المسموح بها.  
منظومة القياس يجب ان تقوم بإظهار معدل الجريان للنفط الخام بجانب تراكمي الكميات.

كميات النفط الخام (تراكمي، معدل جريان) المقاسة بواسطة عداد الجريان يجب أن تنقل إلى غرفة السيطرة وكذلك مراقبة العداد عن بعد، وتحقيق ذلك يتطلب الاجهزة والمعدات أدناه:

١. عداد النفط الخام يتم نصبه في وحدة المعالجة المركزية (CPF) للحقل.
٢. منظومة لاسلكية لنقل الاشارات الخارجة من العداد (Flowmeter output signals) الى غرفة السيطرة.
٣. منظومة المراقبة في غرفة السيطرة (Supervisory computer, Monitoring Software).

### ثانياً: نطاق العمل

يشمل نطاق العمل على سبيل المثال لا الحصر ما يلي:

١. التجهيز والتنصيب والتشغيل التجريبي لعداد جريان نوع (Ultrasonic) لغرض قياس النفط الخام المار عبر أنبوب قياسه (٨) عقدة والمنصوب حديثاً في حقل شرقي بغداد/الراشدية، وبما يتوافق مع (API MPMS 5.8).
٢. تجهيز ونصب وتشغيل منظومة لاسلكية لنقل البيانات من العداد المنصوب في الحقل الى غرفة السيطرة.
٣. تجهيز ونصب وتشغيل منظومة مراقبة العداد حيث تنصب في غرفة السيطرة، وتتكون من كومبيوتر نوع منضدي مزود بالبرمجيات المطلوبة لمراقبة العداد.

١- قائمة السلع وجدول التسليم

موعد التسليم المقترح من مقدم العطاء [يتملأ من مقدم العطاء] [النخل عدد الأيام التي تدرج تفصيل العطاء]	تاريخ التسليم			مكان التسليم النهائي	الوحدة	الكمية	وصف السلع	رقم البند
	آخر موعد للتسليم	أقرب موعد للتسليم	تاريخ التسليم					
	يوماً (٣٦٥)	يوماً (٢٧٠)	شركة نفط الوسط (مخازن الشركة)	Piece	١	Ultrasonic Crude Oil Flowmeter Size: 8"	١	
	يوماً (٣٦٥)	يوماً (٢٧٠)	شركة نفط الوسط (مخازن الشركة)	Piece	٢	Transmitting/Receiving System Type: Wireless	٢	
	يوماً (٣٦٥)	يوماً (٢٧٠)	شركة نفط الوسط (مخازن الشركة)	Piece	١	Supervisory Computer Type: Desktop, Screen Size: 22"	٣	